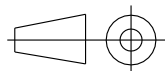
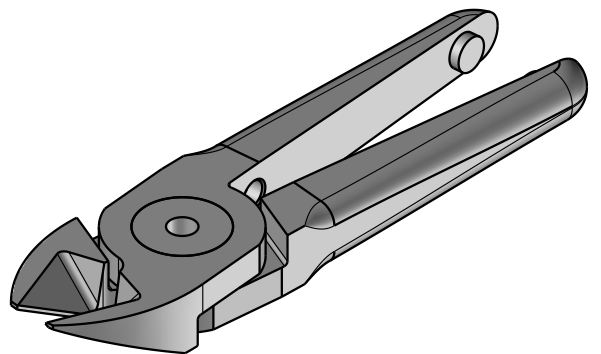
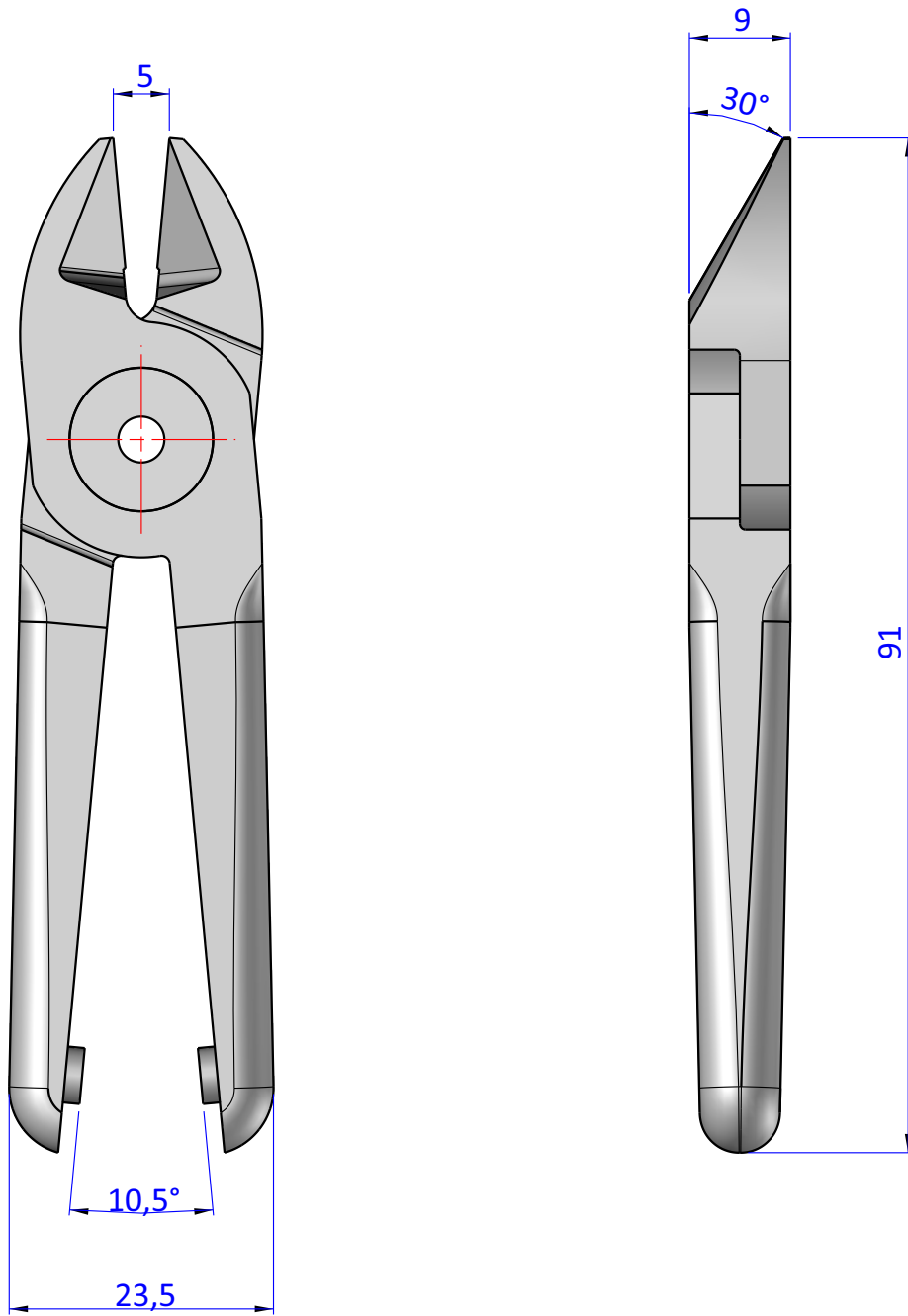


THE PROPERTY OF THE DRAWING IS ESTABLISHED BY LAW. IT IS FORBIDDEN TO PRODUCE OR SHOW IT TO THIRD PART. WITHOUT A WRITTEN AGREEMENT.



| | |
|----------------|--------|
| DESIGNED FROM | REVIEW |
| FPS Automation | A |

| | |
|------------|---------|
| DATE | WEIGHT |
| 22/10/2020 | 0,085kg |

| |
|-----------|
| CODE |
| VES.N10HS |

Format A4

UNI 936-76

GENERAL TOLERANCE

UNI - ISO 2768

CLASSE f

DESCRIPTION

VES.N10HS